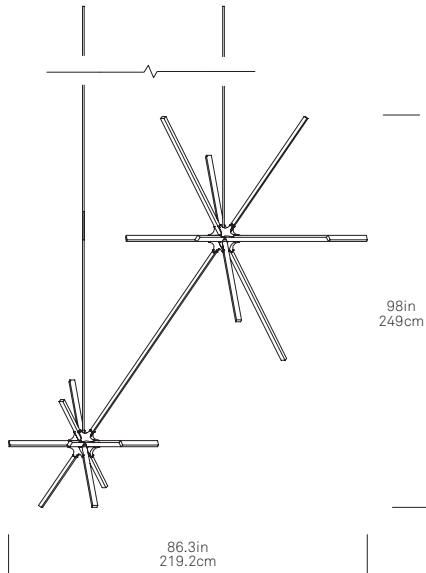
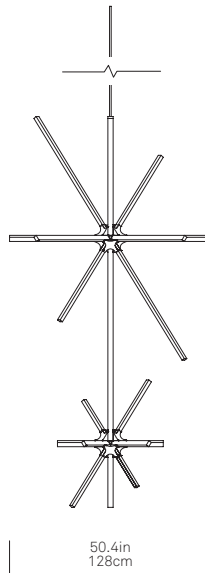


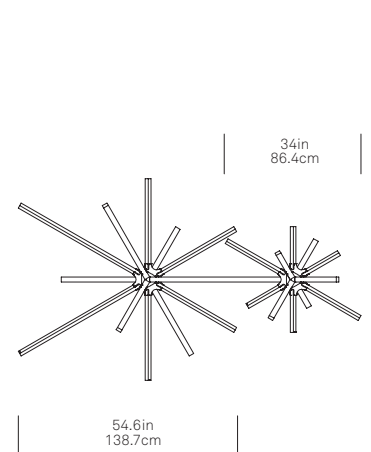
**FRONT**



**SIDE**



**BOTTOM**



□ Bulb Profile  
0.81in x 1.3in  
2.1cm x 3.3cm

**DESIGN**

2017

**MATERIALS**

LED, Sustainably Sourced or Reclaimed Wood, Brass

**FEATURES**

Fully Dimmable

**CERTIFICATIONS**



**ORIGIN OF MANUFACTURE**

New York City, USA

**FIXTURE WEIGHT**

39 lbs / 17.7kg

**DRIVER**

Lutron 100%-1% driver included  
0-10V driver upon request

**LIGHT SPECIFICATION**

Standard Brightness LEDs :  
2748 Lumens / 94 CRI (3000K) / 137W Power draw

**WOOD**

- Maple
- American Walnut
- Ebonized Oak
- Heart Pine (Reclaimed)
- Water Tower Redwood (Reclaimed)
- Custom

**METAL**

**PREMIUM FINISH**

- Polished Brass
- Custom

**COLOR TEMP**

- M A** 2400k  **2 4 0 0**
- W A** 2700k  **2 7 0 0**
- E O** 3000k (Standard)  **3 0 0 0**
- H P** 4000k  **4 0 0 0**

**INPUT VOLTAGE**

- 120V 50-60hz (Forward phase dimming)  **1 2 0**
- 120V-277V 50-60hz (3-wire dimming)  **2 7 7**

**LIGHT OUTPUT**

- Standard Brightness - 12V (Dimmable)  **S B**

**STEM LENGTH**

- 60" length of 3/8" rigid steel stem  **6 0**
- Additional stem length upon request at time of order  **A S**

**CEILING**

- Flat Ceiling  **F**

**ORDER SPECIFICATIONS**

MODEL	WOOD	METAL	COLOR TEMP	INPUT	OUTPUT	STEM	CEILING
<b>DBL-BOOM</b>	<input type="checkbox"/>	<input type="checkbox"/>	<input type="checkbox"/>	<input type="checkbox"/>	<input type="checkbox"/>	<input type="checkbox"/>	<input type="checkbox"/>