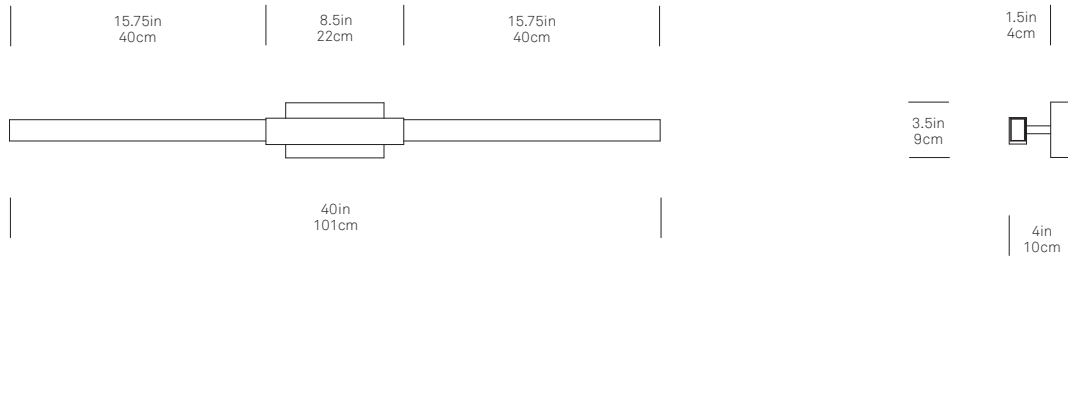


# HORIZONTAL SCONCE (3ft)

## FRONT

## SIDE

□ Bulb Profile  
0.81in x 1.3in  
2.1cm x 3.3cm



### DESIGN

2013

### MATERIALS

LED, Sustainably Sourced or Reclaimed Wood, Steel

### FEATURES

Bulb direction reversible  
Fully dimmable

### CERTIFICATIONS



### ORIGIN OF MANUFACTURE

New York City, USA

### FIXTURE WEIGHT

6 lbs / 2.7 kg

### DRIVER

Lutron 100%-1% driver included  
0-10V driver upon request

### LIGHT SPECIFICATION

Standard Brightness LEDs:  
173 Lumens / 94 CRI (3000K) / 9W Power draw

High Brightness LEDs:  
330 Lumens / 90 CRI (3000K) / 13W Power draw

### WOOD

- Maple  **M A**
- American Walnut  **W A**
- Ebonized Oak  **E O**
- Heart Pine (Reclaimed)  **H P**
- Water Tower Redwood (Reclaimed)  **W T**
- Custom  **C U**

### METAL

#### POWDER COAT FINISH

- White  **W H**
- Slate Grey  **S G**
- Matte Black  **M B**

#### PREMIUM FINISH

- Hand Blackened Steel  **B L**
- Brushed Nickel  **B N**
- Polished Nickel  **P N**
- Brushed Brass  **B B**
- Polished Brass  **P B**
- Custom  **C U**

### COLOR TEMP

- 2400k  **2 4 0 0**
- 2700k  **2 7 0 0**
- 3000k (Standard)  **3 0 0 0**
- 4000k  **4 0 0 0**

### INPUT VOLTAGE

- 120V 50-60hz (Forward phase dimming)  **1 2 0**
- 120V-277V 50-60hz (3-wire dimming)  **2 7 7**

### LIGHT OUTPUT

- Standard Brightness - 12V (Dimmable)  **S B**
- High Brightness - 24V (Dimmable)  **H B**

## ORDER SPECIFICATIONS

MODEL	WOOD	METAL	COLOR TEMP	INPUT	OUTPUT
<b>H-SCNC-3FT</b>	<input type="checkbox"/>	<input type="checkbox"/>	<input type="checkbox"/>	<input type="checkbox"/>	<input type="checkbox"/>