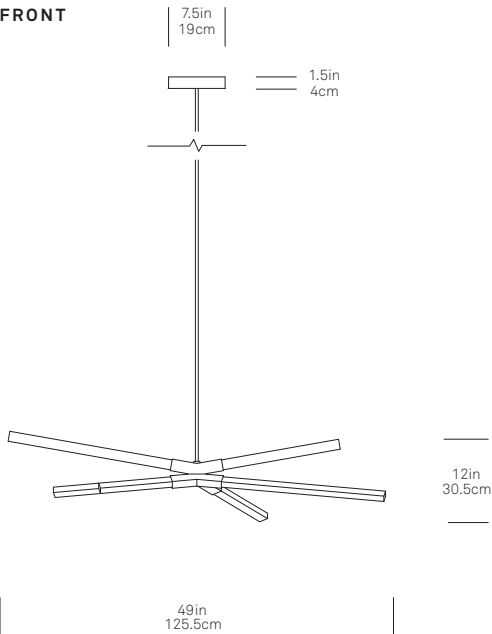
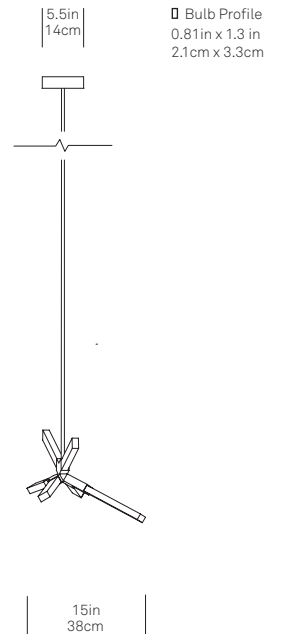


FRONT



SIDE



DESIGN

© 2014

MATERIALS

LED, Sustainably Sourced or Reclaimed Wood, Steel

FEATURES

Bulb direction reversible
Fully Dimmable

CERTIFICATIONS



ORIGIN OF MANUFACTURE

New York City, USA

FIXTURE WEIGHT

16.65 lbs / 7.5 kg

DRIVER

Lutron 100%-1% driver included
0-10V driver upon request

LIGHT SPECIFICATION

Standard Brightness LEDs:
519 Lumens / 94 CRI (3000K) / 26W Power draw

High Brightness LEDs:
992 Lumens / 90 CRI (3000K) / 37W Power draw

WOOD

- Maple **MA**
- American Walnut **WA**
- Ebonized Oak **EO**
- Heart Pine (Reclaimed) **HP**
- Water Tower Redwood (Reclaimed) **WT**
- Mixed **MX**
- Custom **CU**

METAL

POWDER COAT FINISH

- White **WH**
- Slate Grey **SG**
- Matte Black **MB**

PREMIUM FINISH

- Hand Blackened Steel **BL**
- Brushed Nickel **BN**
- Polished Nickel **PN**
- Brushed Brass **BB**
- Polished Brass **PB**
- Custom **CU**

COLOR TEMP

- 2400k **2400**
- 2700k **2700**
- 3000k (Standard) **3000**
- 4000k **4000**

INPUT VOLTAGE

- 120V 50-60hz (Forward phase dimming) **120**
- 120V-277V 50-60hz (3-wire dimming) **277**

LIGHT OUTPUT

- Standard Brightness - 12V (Dimmable) **SB**
- High Brightness - 24V (Dimmable) **HB**

STEM LENGTH

- 60" length of 3/8" rigid steel stem **60**
- Additional stem length upon request **AS**

CEILING

- Flat Ceiling **F**
- Sloped Ceiling **S**

ORDER SPECIFICATIONS

MODEL	WOOD	METAL	COLOR TEMP	INPUT	OUTPUT	STEM	CEILING
LIT-SKBNG							