

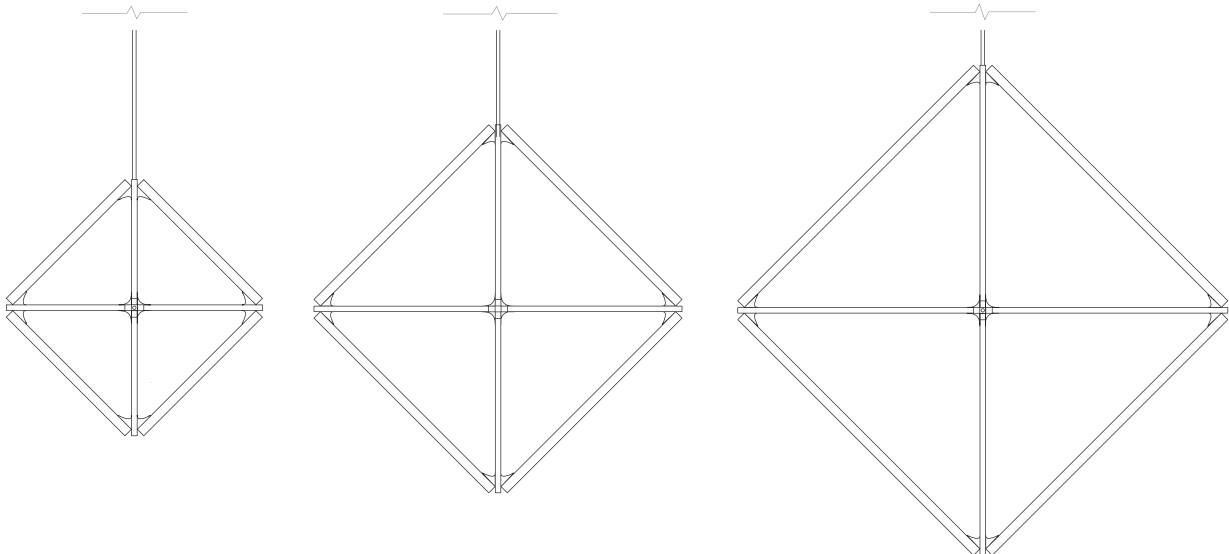
HEART PINE + BRUSHED BRASS



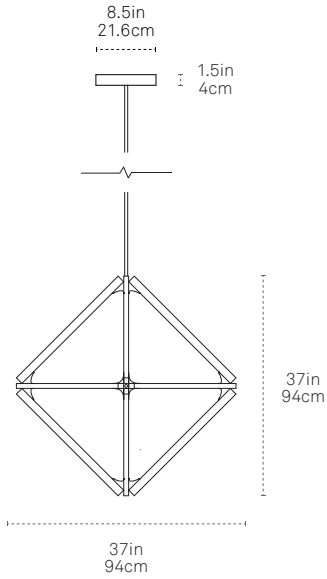
PRODUCT DOWNLOADS

DIAMOND

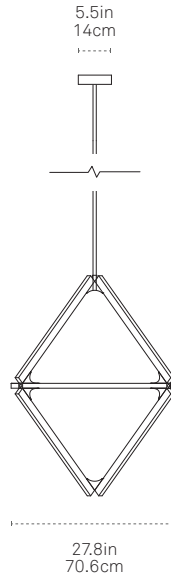
ALL SIZES SPEC SHEET



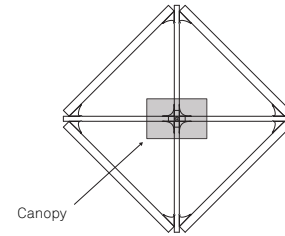
FRONT



SIDE



PLAN



□ Bulb Profile
0.81in x 1.3in
2.1cm x 3.3cm

SPECIFY PRODUCT OPTIONS:

MODEL

LIT-DIA

| WOOD | METAL | COLOR TEMP | DRIVER | OUTPUT | STEM | CEILING |
|--------------------------|--------------------------|--------------------------|--------------------------|--------------------------|--------------------------|--------------------------|
| <input type="checkbox"/> | <input type="checkbox"/> | <input type="checkbox"/> | <input type="checkbox"/> | <input type="checkbox"/> | <input type="checkbox"/> | <input type="checkbox"/> |

DESIGN

© 2017

MATERIALS

LED, Sustainably Sourced or Reclaimed Wood, Brass

FEATURES

UL Damp Rated
Fully Dimmable
Ships assembled
36-inch drop stem included

CERTIFICATIONS



ORIGIN OF MANUFACTURE

New York City, USA

FIXTURE WEIGHT

14.2 lbs / 6.4 kg

SHIPPING DIMENSIONS

Ships assembled in a wooden crate and a corrugated cardboard box.
34 in x 31 in x 26 in, 60 in x 7 in x 7 in
75 lbs / 50 kg

LIGHT SPECIFICATION

Standard Brightness LEDs :
1,276 Lumens / 94 CRI (3000K) /
41W Power draw

WOOD*

- Maple
- American Walnut
- Clear White Oak
- Ebonized Oak
- Heart Pine (Reclaimed)**
- Water Tower Redwood (Reclaimed)**

* Custom options available upon approval.

** Our reclaimed woods exhibit variations in tone and grain.

METAL*

- Brushed Nickel
- Polished Nickel
- Brushed Brass
- Polished Brass
- Blackened

* Custom options available upon approval.

COLOR TEMP

- 2400K
- 2700K
- 3000K (Standard)
- 3500K
- 4000K

DRIVER & DIMMING OPTIONS

- 120V (Phase dimming 2-wire)
- 120V-277V (Lutron Ecosystem 3-wire+G 1% dim.)
- 120V-277V (Universal dimming including 0-10V)**

** Recommended for European orders

LIGHT OUTPUT

- Standard Brightness - 12V (Dimmable)

STEM LENGTH*

- 36" length of 3/8" rigid steel stem
- 72" length of 3/8" rigid steel stem
- 108" length of 3/8" rigid steel stem

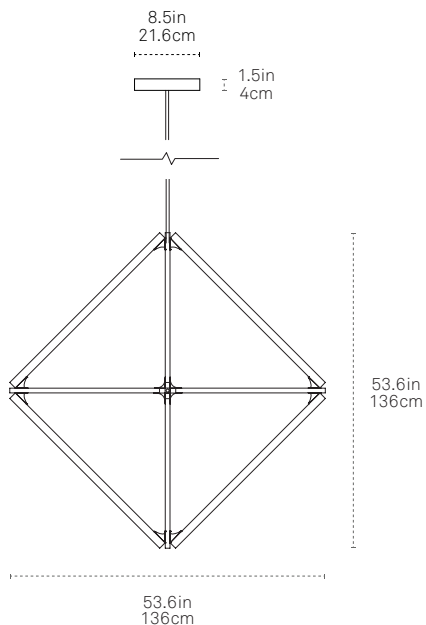
* Drop stem can be cut to length on site. 36" is included; contact a sales representative for additional stem sizes.

CEILING

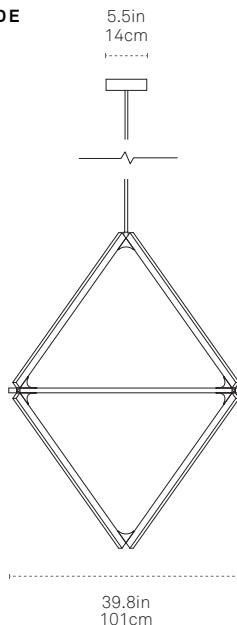
- Flat Ceiling
- Sloped Ceiling**



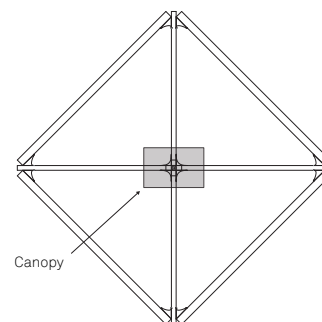
FRONT



SIDE



PLAN



□ Bulb Profile
0.81in x 1.3in
2.1cm x 3.3cm

SPECIFY PRODUCT OPTIONS:

MODEL

MID-DIA

| WOOD | METAL | COLOR TEMP | DRIVER | OUTPUT | STEM | CEILING |
|--------------------------|--------------------------|--------------------------|--------------------------|--------------------------|--------------------------|--------------------------|
| <input type="checkbox"/> | <input type="checkbox"/> | <input type="checkbox"/> | <input type="checkbox"/> | <input type="checkbox"/> | <input type="checkbox"/> | <input type="checkbox"/> |

DESIGN

© 2017

MATERIALS

LED, Sustainably Sourced or Reclaimed Wood, Brass

FEATURES

UL Damp Rated
Fully Dimmable
Ships assembled
36-inch drop stem included

CERTIFICATIONS



ORIGIN OF MANUFACTURE

New York City, USA

FIXTURE WEIGHT

16.6 lbs / 7.5 kg

SHIPPING DIMENSIONS

Ships assembled in a wooden crate.
47 in x 44 in x 35.5 in
100 lbs / 68 kg

LIGHT SPECIFICATION

Standard Brightness LEDs :
2,126 Lumens / 94 CRI (3000K) /
68W Power draw

WOOD*

- Maple
- American Walnut
- Clear White Oak
- Ebonized Oak
- Heart Pine (Reclaimed)**
- Water Tower Redwood (Reclaimed)**

* Custom options available upon approval.

** Our reclaimed woods exhibit variations in tone and grain.

METAL*

- Brushed Nickel
- Polished Nickel
- Brushed Brass
- Polished Brass
- Blackened

* Custom options available upon approval.

COLOR TEMP

- 2400K
- 2700K
- 3000K (Standard)
- 3500K
- 4000K

DRIVER & DIMMING OPTIONS

- 120V (Phase dimming 2-wire)
- 120V-277V (Lutron Ecosystem 3-wire+G 1% dim.)
- 120V-277V (Universal dimming including 0-10V)**

** Recommended for European orders

LIGHT OUTPUT

- Standard Brightness - 12V (Dimmable)

STEM LENGTH*

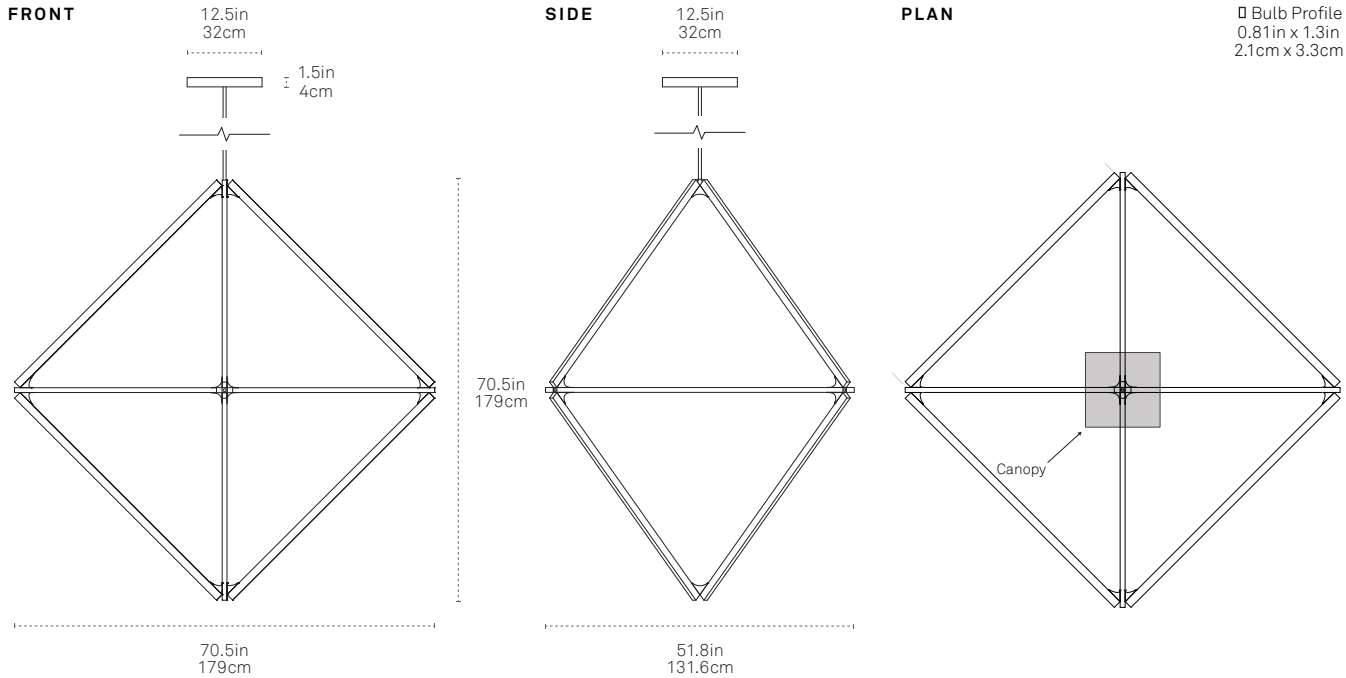
- 36" length of 3/8" rigid steel stem
- 72" length of 3/8" rigid steel stem
- 108" length of 3/8" rigid steel stem

* Drop stem can be cut to length on site. 36" is included; contact a sales representative for additional stem sizes.

CEILING

- Flat Ceiling
- Sloped Ceiling**





SPECIFY PRODUCT OPTIONS:

MODEL

BIG-DIA

| WOOD | METAL | COLOR TEMP | DRIVER | OUTPUT | STEM | CEILING |
|--------------------------|--------------------------|--------------------------|--------------------------|--------------------------|--------------------------|--------------------------|
| <input type="checkbox"/> | <input type="checkbox"/> | <input type="checkbox"/> | <input type="checkbox"/> | <input type="checkbox"/> | <input type="checkbox"/> | <input type="checkbox"/> |

DESIGN

© 2017

MATERIALS

LED, Sustainably Sourced or Reclaimed Wood, Brass

FEATURES

UL Damp Rated
 Fully Dimmable
 Ships assembled
 36-inch drop stem included

CERTIFICATIONS



ORIGIN OF MANUFACTURE

New York City, USA

FIXTURE WEIGHT

27.2 lbs / 12.3 kg

SHIPPING DIMENSIONS

Ships assembled in a wooden crate.
 61 in x 53 in x 43 in
 125 lbs / 90.7 kg

LIGHT SPECIFICATION

Standard Brightness LEDs :
 2,976 Lumens / 94 CRI (3000K) /
 96W Power draw

WOOD*

- Maple
- American Walnut
- Clear White Oak
- Ebonized Oak
- Heart Pine (Reclaimed)**
- Water Tower Redwood (Reclaimed)**

* Custom options available upon approval.

** Our reclaimed woods exhibit variations in tone and grain.

METAL*

- Brushed Nickel
- Polished Nickel
- Brushed Brass
- Polished Brass
- Blackened

* Custom options available upon approval.

COLOR TEMP

- 2400K
- 2700K
- 3000K (Standard)
- 3500K
- 4000K

DRIVER & DIMMING OPTIONS

- 120V (Phase dimming 2-wire)
- 120V-277V (Lutron Ecosystem 3-wire+G 1% dim.)
- 120V-277V (Universal dimming including 0-10V)**

** Recommended for European orders

LIGHT OUTPUT

- Standard Brightness - 12V (Dimmable)

STEM LENGTH*

- 36" length of 3/8" rigid steel stem
- 72" length of 3/8" rigid steel stem
- 108" length of 3/8" rigid steel stem

* Drop stem can be cut to length on site. 36" is included; contact a sales representative for additional stem sizes.

CEILING

- Flat Ceiling
- Sloped Ceiling**



1 2 0

120V driver (2-wire+G Forward phase 1% dimming)

Full manufacturer’s specification sheets can be found at stickbulb.com/drivers/120

E-Series Dimmer Compatibility

For assistance selecting controls, contact Magnitude at 1.714.312.5070

Note: E-Series supports MLV (forward-phase) dimming only.

| Dimmer | Results |
|--|-----------------------|
| Lutron Homeworks QS System* LQSE-4A5-120-D (MLV, forward phase-cut) | Approved - Dims to 0% |
| *Note: These drivers are not detectable in Lutron “Auto-Detect” mode. | |
| Lutron Maestro MACL-153P | Approved - Dims to 0% |
| Lutron Toggle TGCL-153P | Approved - Dims to 0% |
| Lutron Sunnata Touch STCL-153P | Approved - Dims to 0% |
| Lutron Diva DVCL-153P | Approved - Dims to 1% |
| Lutron Caseta, Wireless PD-6WCL | Approved - Dims to 0% |
| Lutron Caseta, Wireless PD-5NE (MLV Mode) | Approved - Dims to 0% |
| Lutron Caseta, Wireless PD-10NXD | Approved - Dims to 0% |
| Lutron Caseta Smart Plug-in PD-3PCL | Approved - Dims to 0% |
| Lutron Maestro MA-PRO (MLV Mode) | Approved - Dims to 0% |
| Lutron Maestro, Wireless MRF2-6CL (MLV) | Approved - Dims to 1% |
| Lutron Radio RA2 RRD-6ND (MLV) | Approved - Dims to 0% |
| Lutron Radio RA2 RRD-PRO (MLV Mode) | Approved - Dims to 1% |
| Lutron Maestro MA-600 (MLV) | Approved - Dims to 0% |

(TO BE CONTINUED ON NEXT PAGE)



(CONTINUED from 1 2 0)

Note: E-Series supports MLV (forward-phase) dimming only.

| Dimmer | Results |
|---|--|
| Lutron Maestro MSC-1000M | Approved - Dims to 0% |
| Lutron Diva DVLV-103P (MLV) | Not Recommended |
| Lutron Diva DVLV-600P (MLV) | Not Recommended |
| Lutron Nova T NTLV-600 (MLV) | Approved - Dims to 1% |
| Lutron Maestro, Wireless MRF2-6CL (MLV) | Approved - Dims to 1% |
| Lutron Ariadni AYLV-600P (MLV) | Recommend Magnitude's M-Series Drivers |
| Lutron Maestro+ Motion Sensor MSCL-OP153MH | Not Recommended |
| Lutron Maestro IR MIRLV-600P | Not Recommended |
| Leviton Illumatech IPM06 (MLV) | Approved |
| Leviton Sureslide 6674 | Approved |
| Leviton Toggle Slide TSM10-1LI | Approved |
| Leviton Decora Smart DW1KD-1BZ | Approved - Dims to 0% |
| Leviton Decora Digital DDMX1-BLZ | Approved - Dims to 1% |
| Leviton Decora Slide DSM10 | Approved - Dims to 1% |
| Leviton Decora Slide DSL06-1LZ | Approved - Dims to 0% |
| Leviton Illumatech IPM06 (MLV) | Approved |
| Leviton Sureslide 6674 | Approved |
| Leviton Lumina RF DL1KD-1BZ (MLV) | Approved - Dims to 1% |
| Leviton Decore Smart DW6HD(MLV) | Approved - Dims to 0% |
| Leviton Decora Digital DDL06-1LZ | Not Recommended |
| Leviton Smart Sensor ODP10-I1W (MLV) | Not Recommended |
| Legrand Adorne ADWR700MMTU (MLV) | Not Recommended |

(TO BE CONTINUED ON NEXT PAGE)



DIMMING COMPATIBILITY

Lutron Hi-Lume 1% EcoSystem/3-Wire L3D

Featuring SoftOn/FadeToBlack
Standard & High Brightness

| | | |
|---|---|---|
| 2 | 7 | 7 |
|---|---|---|

120-277V driver (3-wire+G 1% dimming)

Full manufacturer's specification sheets can be found at stickbulb.com/drivers/277

Compatible Controls

For assistance selecting controls, contact Lutron at 1.877.346.5338 or LEDs@lutron.com

| Product | Part Number | | Drivers per Control | | | | Measured Light Output Range |
|--------------------------------------|------------------------|-----------------|-----------------------------------|---------|-------------|---------|-----------------------------|
| | | | 40 W Driver | | 50 W Driver | | |
| | 120 V ~ | 277 V ~ | 120 V ~ | 277 V ~ | 120 V ~ | 277 V ~ | |
| 3-wire Controls: | | | | | | | |
| Nova T | NTF-10- | NTF-10-277- | 1-41 | 1-44 | 1-31 | 1-36 | 100%-1% |
| | NTF-103P- | NTF-103P-277- | 1-20 | 1-33 | 1-15 | 1-27 | 100%-1% |
| Nova | NF-10- | NF-10-277- | 1-41 | 1-44 | 1-31 | 1-36 | 100%-1% |
| | NF-103P- | NF-103P-277- | 1-20 | 1-33 | 1-15 | 1-27 | 100%-1% |
| Skylark | SF-10P- | SF-12P-277- | 1-20 | 1-33 | 1-15 | 1-27 | 100%-1% |
| | SF-103P- | SF-12P-277-3 | 1-20 | 1-33 | 1-15 | 1-27 | 100%-1% |
| Diva | DVF-103P- | DVF-103P-277- | 1-20 | 1-33 | 1-15 | 1-27 | 100%-1% |
| | DVSCF-103P- | DVSCF-103P-277- | 1-20 | 1-33 | 1-15 | 1-27 | 100%-1% |
| Ariadni | AYF-103P- | AYF-103P-277- | 1-20 | 1-44 | 1-15 | 1-27 | 100%-1% |
| Maestro | MAF-6AM- | MAF-6AM-277- | 1-15 | 1-20 | 1-11 | 1-20 | 100%-1% |
| | MSCF-6AM- | MSCF-6AM-277- | 1-15 | 1-20 | 1-11 | 1-20 | 100%-1% |
| Maestro Wireless | MRF2-F6AN-DV- | | 1-15 | 1-33 | 1-11 | 1-27 | 100%-1% |
| RadioRA 2 | RRD-F6AN-DV- | | 1-15 | 1-33 | 1-11 | 1-27 | 100%-1% |
| HomeWorks QS | HQRD-F6AN-DV | | 1-15 | 1-33 | 1-11 | 1-27 | 100%-1% |
| Interfaces ¹ | PHPM-3F-120 | - | 1-41 | - | 1-31 | - | 100%-1% |
| | PHPM-3F-DV | | 1-41 | 1-88 | 1-31 | 1-72 | 100%-1% |
| GP Dimming Panels | Various | | 1-41 | 1-88 | 1-31 | 1-72 | 100%-1% |
| EcoSystem Controls: | | | | | | | |
| PowPak dimming module with EcoSystem | RMJ-ECO32-DV-B | | 32 per EcoSystem link | | | | 100%-1% |
| | FCJ-ECO | | 3 per EcoSystem link ² | | | | 100%-1% |
| Energi Savr Node with EcoSystem | QSN-1ECO-S, QSN-2ECO-S | | 64 per EcoSystem link | | | | 100%-1% |
| GRAFIK Eye QS with EcoSystem | QSGRJ-_E, QSGR-_E | - | 64 per EcoSystem link | | | | 100%-1% |
| Quantum | Various | | 64 per EcoSystem link | | | | 100%-1% |

¹ For use with 3-wire controls or Commercial Systems, RadioRA 2 Systems or Home Systems applications.

² Up to 3 drivers controlled as a single zone (broadcast EcoSystem).



0 1 0

120V-277V driver (Universal dimming including 0–10V)

Full manufacturer’s specification sheets can be found at stickbulb.com/drivers/010

Low-Voltage Compatible Dimmer brands: Crestron, Lutron, Leviton

For assistance selecting controls, contact LTF at +1 (847) 498-5832 or LTFsales@LTFtechnology.com

| Brand | Part number |
|----------|---------------|
| Crestron | CLS-C6 |
| Crestron | CLS-C6M |
| Crestron | CLS-C6EX |
| Crestron | CLS-C6MEX |
| Crestron | CLS-EXP-DIM |
| Crestron | CLS-EXP-DIMU |
| Crestron | CLX-2DIM8 |
| Crestron | DIN-1DIM4 |
| Crestron | DIN-1DIMU4 |
| Crestron | CLW-DIMEX-E |
| Crestron | CLW-DIMEX-P |
| Crestron | CLW-DIMSWEX-E |
| Crestron | CLW-DIMSWEX-P |
| Crestron | GLX-DIM6 |
| Crestron | GLXX-2DIM8 |
| Crestron | P-DIMEX |
| Crestron | CLW-DELVEX-E |
| Crestron | CLW-DELVEX-P |

| Brand | Part number |
|--------|----------------|
| Lutron | DVCL-153P |
| Lutron | DVELV-303P |
| Lutron | HQRD-6A |
| Lutron | HQRD-6NA- |
| Lutron | NTELV-300- |
| Lutron | NTELV-600- |
| Lutron | NVELV-600- |
| Lutron | VTELV-600M |
| Lutron | MAELV-600- |
| Lutron | MSCELV-600M |
| Lutron | MIRELV-600- |
| Lutron | MRF2-6ELV-120- |
| Lutron | SELV-300P |
| Lutron | CTELV-303P |
| Lutron | SELV-600- |

| Brand | Part number |
|---------|-------------|
| Leviton | Model 6615 |
| Leviton | Model 6672 |
| Leviton | Model 6674 |
| Leviton | Model IPL06 |
| Leviton | Model IPE04 |
| Leviton | Model IPI06 |
| Leviton | Model VP106 |
| Leviton | Model VPE04 |
| Leviton | Model VPM06 |
| Leviton | Model VRE04 |
| Leviton | Model VRM10 |



All of our wood and metal products should be dusted by hand with a dry Swiffer pad (or equivalent) on a regular schedule to maintain surface integrity. It is imperative that none of our products come into contact with bleach, vinegar, lemon juice or any household product which may contain these or other solvents.

If any part of one of our fixtures becomes soiled with dried residue or grime, wipe the affected area with a soft cloth dampened very lightly with warm water and immediately wipe dry with another soft cloth. If this does not complete the task, wipe with a cloth soaked in diluted mild liquid dish soap and again immediately dry.

Fingerprints on our Nickel-plated, Brass-plated, and Blackened metal hardware can be removed with a clean, dry, soft cloth. We recommend an ultra-fine, textureless microfiber cleaning cloth (as one uses to clean glass).

All of our Brass hardware is treated with a protective coating to prevent tarnish. It should need no more than a wipe with a clean, dry, soft cloth to remove fingerprints and dust.

Brushed metal surfaces should be buffed in the direction of the grain.

For scratches in wood we highly recommend Claphams beeswax, which is non-toxic and can be applied by hand. Rub a small amount into the scratch area and buff with a dry cloth.

