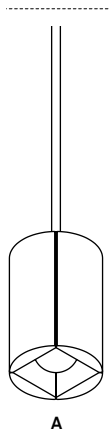


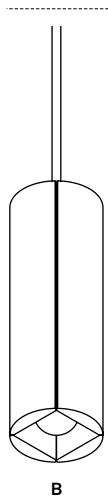


PILLAR PENDANT

ALL



A

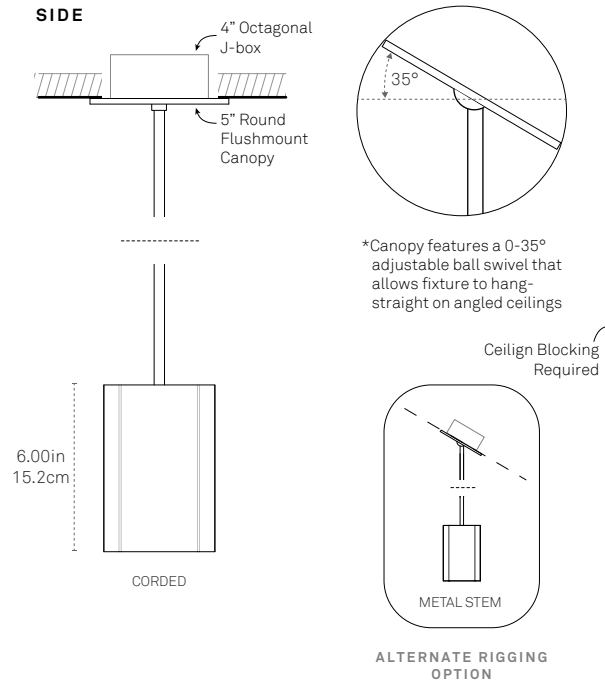


B



C





LED E12
Porcelain Bulb
included

or

LED MR16
GU10 Bulb
included

*Canopy features a 0-35° adjustable ball swivel that allows fixture to hang-straight to angled ceilings

Ceiling Blocking
Required

ALTERNATE RIGGING
OPTION

SPECIFY PRODUCT OPTIONS:

MODEL

PILLAR - PEND - A - XX - XXX - XXX - XXX

WOOD

--	--

SUSPENSION

--	--	--

BULB

--	--	--

DROP

--	--	--

DESIGN

© 2024

MATERIALS

LED, Sustainably Sourced and/or Reclaimed Wood, Polished Aluminum

FEATURES

Damp Rated, PVC-Free

CERTIFICATIONS



ORIGIN OF MANUFACTURE

New York City, USA

FIXTURE WEIGHT

2 lbs / 0.9 kg

SHIPPING DIMENSIONS

Ships in a corrugated cardboard box. Dimensions and weight TBD based on order quantity.

LIGHT SPECIFICATION

120V line voltage connection. (No Driver)
Various Bulb Options available. See "Bulb" Section of spec Sheet.

WOOD

Clear White Oak

White (salvaged NYC pin oak*)

Black (salvaged NYC pin oak*)

Custom

C W

W W

B W

C U

SUSPENSION

CORDED*

White

Matte Black

Custom

C W H

C M B

C C U

METAL STEM (HANG-STRAIGHT)*

White

Matte Black

Brushed Brass

Brushed Nickel

S W H

S M B

S B B

S B N

* Selection dictates color of Cord/Stem and Canopy. Both Corded and Stem options can accommodate sloped ceilings.

BULB

LED Tala Sphere 1 (E12)
2000k-2800k | 220LM | 3.8W
Dim-to-Warm

D 2 W

LED MR16 w/ Louvers
2700k | 600LM | 7.5W
10° beam angle *

2 1 0

LED MR16 w/ Louvers
3000k | 600LM | 7.5W
10° beam angle *

3 1 0

LED MR16
2700k | 600LM | 7.5W
36° beam angle *

2 3 6

LED MR16
3000k | 600LM | 7.5W
36° beam angle *

3 3 6

*other color temperatures and beam angles available standard upon request. Soraa Vivid or Soraa Brilliant recommended.

DROP LENGTH*

36"

0 3 6

72"

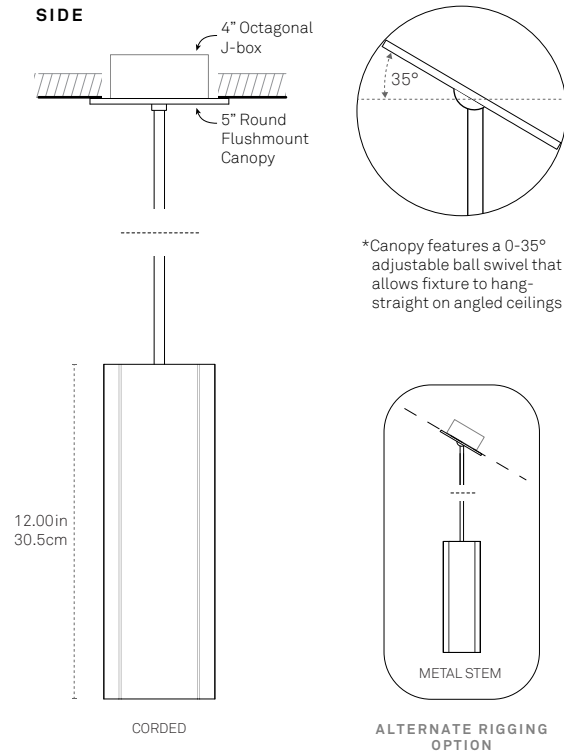
0 7 2

108"

1 0 8

*Drop stem can be cut to length on site. 36" is included; contact a sales representative for additional stem sizes.





LED E12 Porcelain Bulb included

or

LED MR16 GU10 Bulb included

*Canopy features a 0-35° adjustable ball swivel that allows fixture to hang-straight on angled ceilings

SPECIFY PRODUCT OPTIONS:

MODEL

PILLAR - PEND - B - XX - XXX - XXX - XXX

WOOD

--	--

SUSPENSION

--	--	--

BULB

--	--	--

DROP

--	--	--

DESIGN

© 2024

MATERIALS

LED, Sustainably Sourced and/or Reclaimed Wood, Polished Aluminum

FEATURES

Damp Rated, PVC-Free

CERTIFICATIONS



ORIGIN OF MANUFACTURE

New York City, USA

FIXTURE WEIGHT

4 lbs / 1.8 kg

SHIPPING DIMENSIONS

Ships in a corrugated cardboard box. Dimensions and weight TBD based on order quantity.

LIGHT SPECIFICATION

120V line voltage connection. (No Driver)
Various Bulb Options available. See "Bulb" Section of spec Sheet.

WOOD

Clear White Oak

White (salvaged NYC pin oak*)

Black (salvaged NYC pin oak*)

Custom

C W

W W

B W

C U

SUSPENSION

CORDED*

White

Matte Black

Custom

C W H

C M B

C C U

METAL STEM (HANG-STRAIGHT)*

White

Matte Black

Brushed Brass

Brushed Nickel

S W H

S M B

S B B

S B N

* Selection dictates color of Cord/Stem and Canopy. Both Corded and Stem options can accommodate sloped ceilings.

BULB

LED Tala Sphere 1 (E12)
2000k-2800k | 220LM | 3.8W
Dim-to-Warm

LED MR16 w/ Louvers
2700k | 600LM | 7.5W
10° beam angle *

LED MR16 w/ Louvers
3000k | 600LM | 7.5W
10° beam angle *

LED MR16
2700k | 600LM | 7.5W
36° beam angle *

LED MR16
3000k | 600LM | 7.5W
36° beam angle *

*other color temperatures and beam angles available standard upon request. Soraa Vivid or Soraa Brilliant recommended.

DROP LENGTH*

36"

72"

108"

D 2 W

2 1 0

3 1 0

2 3 6

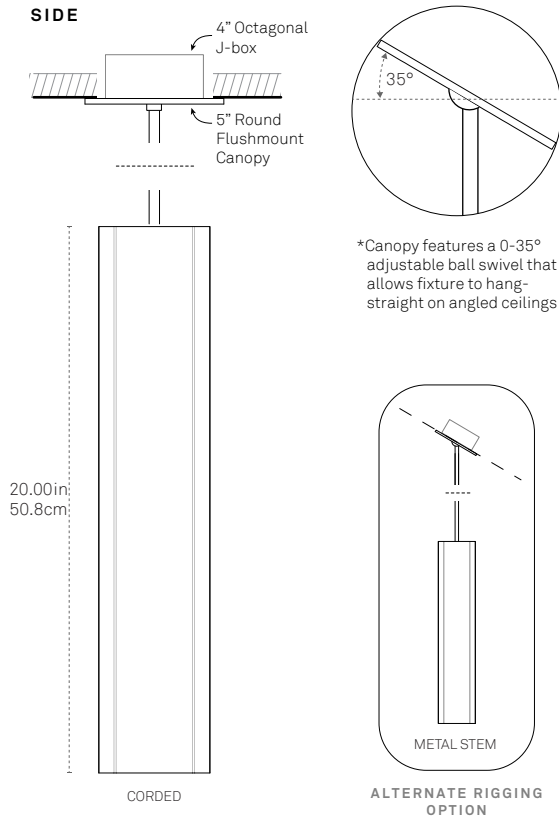
3 3 6

0 3 6

0 7 2

1 0 8

*Drop stem can be cut to length on site. 36" is included; contact a sales representative for additional stem sizes.

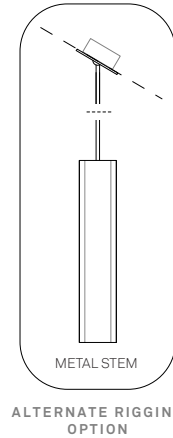


LED E12
Porcelain Bulb
included

or

LED MR16
GU10 Bulb
included

*Canopy features a 0-35° adjustable ball swivel that allows fixture to hang-straight on angled ceilings



SPECIFY PRODUCT OPTIONS:

MODEL

PILLAR - PEND - C - XX - XXX - XXX - XXX

WOOD

--	--

SUSPENSION

--	--	--

BULB

--	--	--

DROP

--	--	--

DESIGN

© 2024

MATERIALS

LED, Sustainably Sourced and/or Reclaimed Wood, Polished Aluminum

FEATURES

Damp Rated, PVC-Free

CERTIFICATIONS



ORIGIN OF MANUFACTURE

New York City, USA

FIXTURE WEIGHT

6.5 lbs / 3 kg

SHIPPING DIMENSIONS

Ships in a corrugated cardboard box. Dimensions and weight TBD based on order quantity.

LIGHT SPECIFICATION

120V line voltage connection. (No Driver)
Various Bulb Options available. See "Bulb" Section of spec Sheet.

WOOD

Clear White Oak

White (salvaged NYC pin oak*)

Black (salvaged NYC pin oak*)

Custom

C W

W W

B W

C U

* When available, we salvage wood from NYC's fallen street and park trees to make our Pillar collection.

SUSPENSION

CORDED*

White

Matte Black

Custom

C W H

C M B

C C U

METAL STEM (HANG-STRAIGHT)*

White

Matte Black

Brushed Brass

Brushed Nickel

S W H

S M B

S B B

S B N

* Selection dictates color of Cord/Stem and Canopy. Both Corded and Stem options can accommodate sloped ceilings.

BULB

LED Tala Sphere 1 (E12)
2000k-2800k | 220LM | 3.8W
Dim-to-Warm

D 2 W

LED MR16 w/ Louvers
2700k | 600LM | 7.5W
10° beam angle *

2 1 0

LED MR16 w/ Louvers
3000k | 600LM | 7.5W
10° beam angle *

3 1 0

LED MR16
2700k | 600LM | 7.5W
36° beam angle *

2 3 6

LED MR16
3000k | 600LM | 7.5W
36° beam angle *

3 3 6

*other color temperatures and beam angles available standard upon request. Soraa Vivid or Soraa Brilliant recommended.

DROP LENGTH*

36"

0 3 6

72"

0 7 2

108"

1 0 8

*Drop stem can be cut to length on site. 36" is included; contact a sales representative for additional stem sizes.

