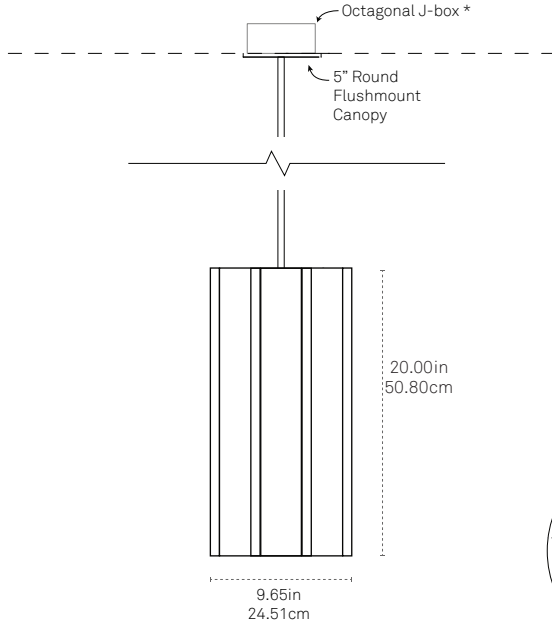
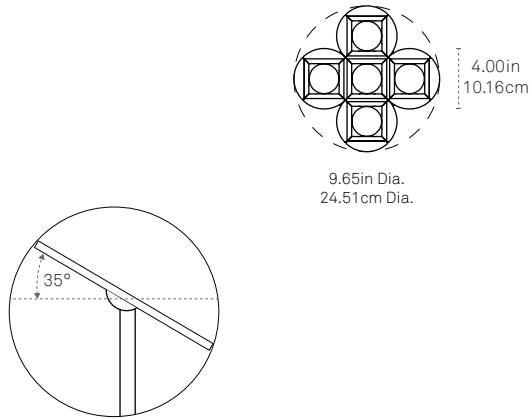


FRONT



PLAN



*Canopy features a 0-35° adjustable ball swivel that allows fixture to hang-straight on angled ceilings

SPECIFY PRODUCT OPTIONS:

MODEL

C - CROSS - C3xC3 - XX - XXX - XXX - XXX

WOOD

--	--

SUSPENSION

--	--	--

BULB

--	--	--

DROP

--	--	--

DESIGN

© 2024

MATERIALS

LED, Sustainably Sourced and/or Reclaimed Wood, Polished Aluminum

FEATURES

Damp Rated, PVC-Free
Dim-to-warm

CERTIFICATIONS



ORIGIN OF MANUFACTURE

New York City, USA

FIXTURE WEIGHT

26 lbs / 11.8 kg

SHIPPING DIMENSIONS

Ships in a reinforced corrugated cardboard box. Dimensions and weight TBD based on order quantity.

LIGHT SPECIFICATION

120V line voltage connection.
(No Driver)
LED bulb
1980 Lumens
Dim-to-warm 2000k-2800k
34.2W

WOOD

- Clear White Oak
- White (salvaged NYC pin oak*)
- Black (salvaged NYC pin oak*)
- Custom

C	W
W	W
B	W
C	U

*When available, we salvage wood from NYC's fallen street and park trees.

SUSPENSION*

- White
- Matte Black
- Brushed Brass
- Brushed Nickel

S	W	H
S	M	B
S	B	B
S	B	N

*Selection designates canopy and stem finish. The metal plate behind the bulb comes in polished aluminum.

BULB

- Tala Sphere I E-12
Dim-to-Warm 2000k-2800k

D	2	W
---	---	---

DROP LENGTH*

- 36"
- 72"
- 108"

0	3	6
0	7	2
1	0	8

*Drop stem can be cut to length on site. 36" is included; contact a sales representative for additional stem sizes.

